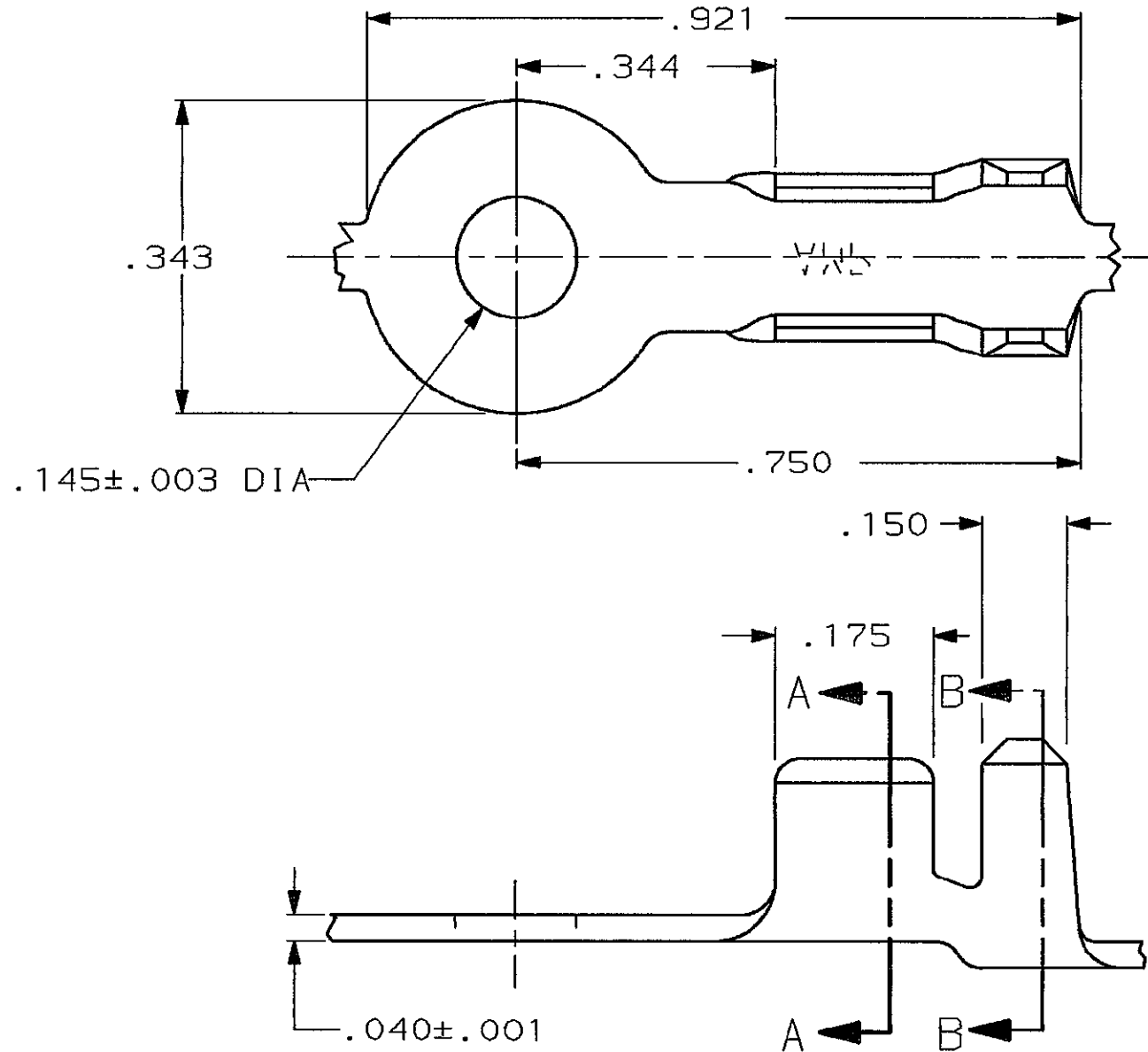
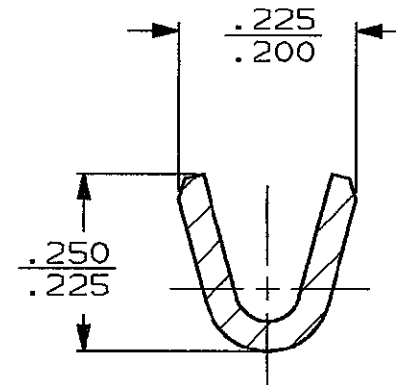


THIS DRAWING IS UNPUBLISHED. RELEASED FOR PUBLICATION .19
 © COPYRIGHT 19 BY AMP INCORPORATED. ALL INTERNATIONAL RIGHTS RESERVED.

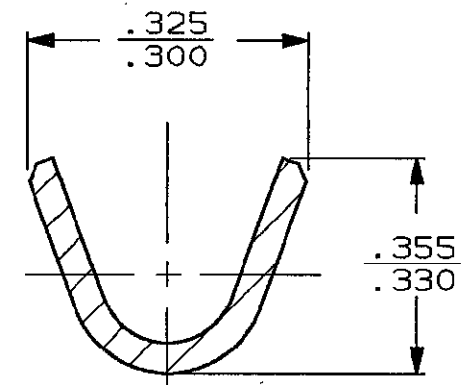
LOC	DIST	P	F	ZONE	LTR	DESCRIPTION	DATE	APPD
AF	50				C	REDRAWN AF-2137	8/18/87	PMF



- ① 12-10 WIRE RANGE FOR .170-.210 INSULATION DIA
- ② CONTINUOUS STRIP ON REELS



SECTION AA



SECTION BB

61424-1

PART NO

DO NOT SCALE PRINT.
 UNLESS SPECIFIED
 DIMENSIONS IN INCHES
 TOLERANCES ON:
 2 PLC DEC ± -
 3 PLC DEC ± .015
 ANGLES ± -

DR *P Fortney*

AMP | AMP INCORPORATED
 Harrisburg, Pa. 17105

MATERIAL
 T1 BRASS

CHK

NAME
RING

FINISH
 TIN

APPD

APPD

PRODUCT SPEC

-

APPLICATION SPEC

-

WEIGHT

-

SIZE
B 00779

SCALE
 NTS

FSCM NO
 00779

DRAWING NO
 61424

SHEET
 1 OF 1